




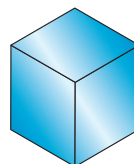
NATURAL
REFRIGERANT
R290

Key Features

The IM-65NE-HC is a compact sized cube ice maker, which utilises Natural Refrigerant R290.

-  Energy efficient, with savings of 15% compared to HFC equivalent model.*
- ✓ Smallest member of the Emerald Class, Hoshizaki's new range of climate friendly ice makers.
- ✓ Can produce up to 62kg of cube ice per 24 hours (AT.10°C.WT.10°C).
- ✓ Unique ice making system that has an automatic rinse cycle. After every new batch of ice, the water reservoir drains and refills with fresh water. System comes with a magnetic water pump that has no direct coupling, which prevents any leakage.
- ✓ Closed water circuit offers the ultimate contamination protection, by reducing the number of points at which impurities can enter the ice making process.
- ✓ Electronically controlled to ensure an optimised ice making process under varying circumstances without the need for physical adjustments. Quality of ice is always consistent.
- ✓ Easily cleanable air filter allows end-users to carry out routine cleaning schedules. Extends product life expectancy and reduces the frequency and costs of maintenance call-outs.
- ✓ Stainless steel exterior with integrated door handles provides a hygienic and high quality finish.

* Based on Internal comparative study. Please contact your local sales branch to find out more.



Ice: Standard Cube (L)
Size: Approx. 28 x 28 x 32mm



Available Models

Model	Air Cooled	Water Cooled
IM-65NE-HC	✓	

Bins

Model	Type of Bin	Max. Bin Capacity approx.
IM-65NE-HC	Self-contained	26kg

Production

Model	Ice Production per 24h approx.	Temperature	Ice Production per Cycle approx.	Water Consumption per 24h approx.
IM-65NE-HC	Approx. 52kg (5mm) / 62kg (15mm) Approx. 47kg (5mm) / 56kg (15mm) Approx. 39kg (5mm) / 46kg (15mm)	AT.10°C, WT.10°C AT.21°C, WT.15°C AT.32°C, WT.21°C	0.94kg/42 pcs	0,21m ³ 0,14m ³ 0,12m ³

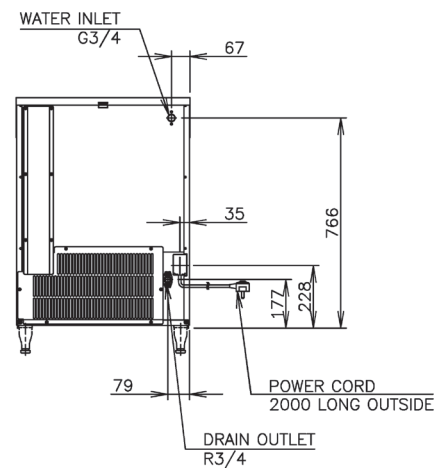
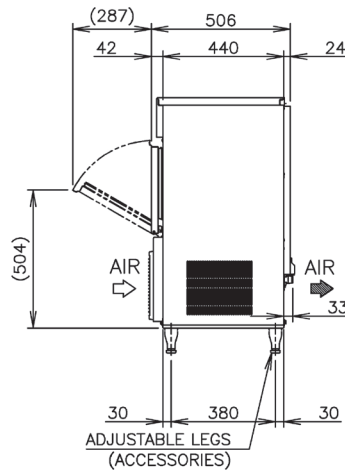
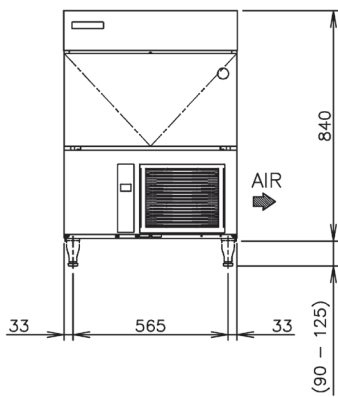
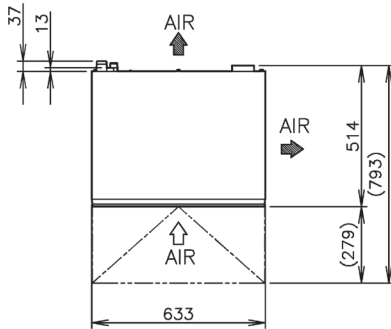
For more information visit our website at
www.hoshizaki-europe.com

Hoshizaki Europe B.V. retains the right to change products and their specifications without prior notice.



➔ CAD drawings available on our website

DT5997 / 2015.04.24



Specifications

Dimensions W x D x H (mm)	633mm x 506mm x 840mm
Power Supply	1/220-240V 50Hz
Electric Consumption (AT.32°C, WT.21°C)	320W
Heat Rejection (AT.32°C, WT.21°C)	815W
Refrigerant Charge	R290/105g
Isolation	Polyurethane
Weight Gross / Net	60kg / 50kg

Operation Requirements

Ambient Temperature	1 - 40°C
Water Supply Temperature	5 - 35°C
Water Supply Pressure	0,7-8bar (0,07-0,8MPa)
Voltage Range	Rated Voltage ± 6%

Accessories

Scoop
Leg
Installation Kit